

252 HP (187 KW) FESSLER 350XB2-1L USED RIGHT ANGLE GEAR REDUCER

MANUFACTURER: FESSLER

AGE: 1987

MODEL NO.: 350XB2-1L

HP RATING: 252

(187 KW)

INPUT RPM: 1030

RATIO: 5.76:1

REDUCTION: DOUBLE

SERVICE FACTOR: 1.0

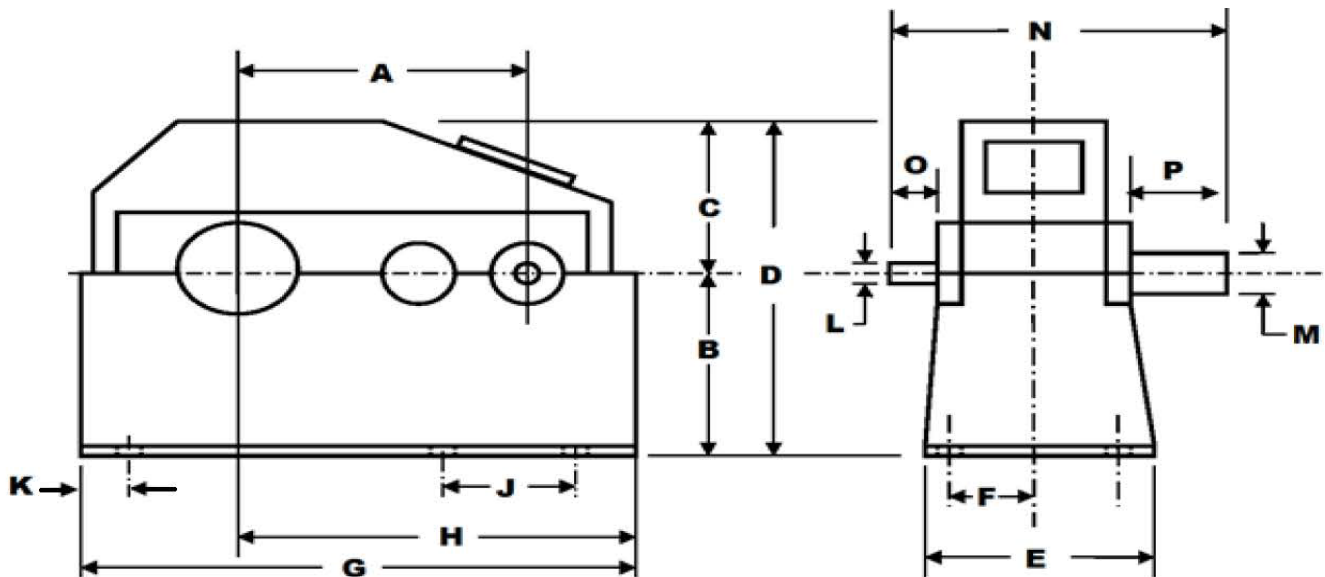
TYPE: RIGHTANGLE

GEAR TYPE: BEVEL HELICAL

BEARING TYPE: ROLLER

WEIGHT: 2,660 LBS.

(1,210 KG)



A=N/A	E=23.25"	J=14.62"	N=31.87"
B=15.5"	F=10.25"	K=2"	O=6"
C=13.75"	G=54.75"	L=3.75"	P=8.62"
D=29.25"	H=22.25"	M=5.75"	

INVENTORY ID: 200568-000-00

CASEYUSA®

Revised 3/12/19

Page 1 of 1

CASEY

275 Kappa Drive, Pittsburgh, PA 15238

Ph: (800) 882-7000 • (412) 963-1111

Fax: (412) 963-0378

E-mail: mechanicalsales@caseyusa.com

Web: www.caseyusa.com