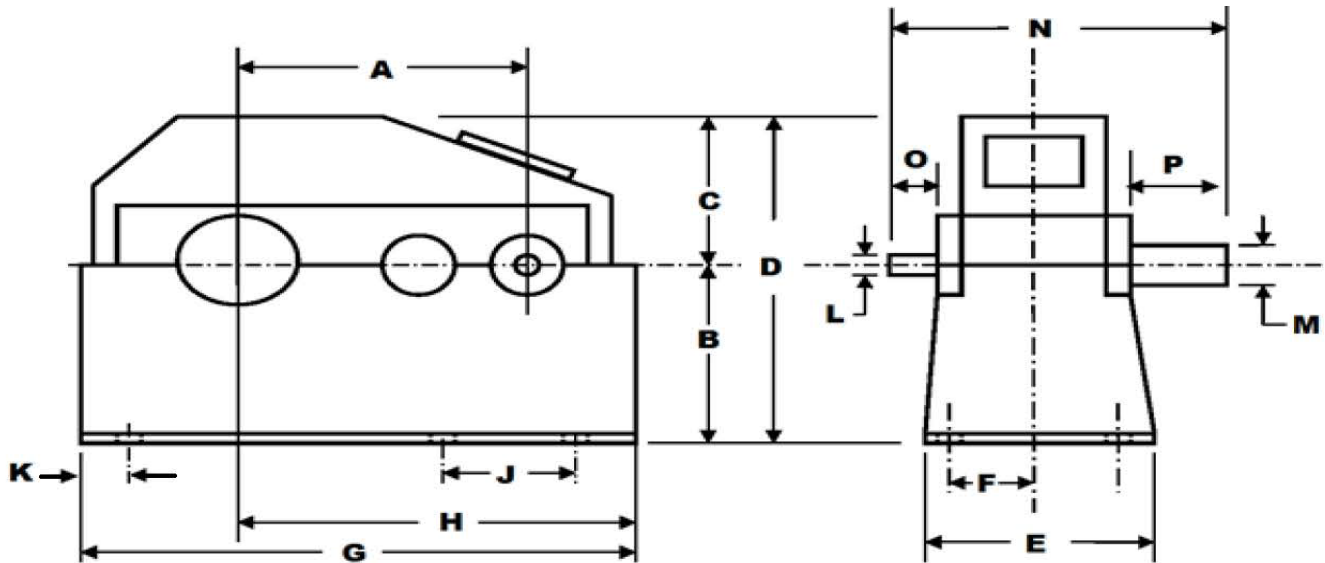


# 252 HP (187 KW) FESSLER 350XB2-1L USED RIGHT ANGLE GEAR REDUCER

MANUFACTURER:	FESSLER	
AGE:	1987	
MODEL NO.:	350XB2-1L	
HP RATING:	252	(187 KW)
INPUT RPM:	1030	
RATIO:	5.76:1	
REDUCTION:	DOUBLE	
SERVICE FACTOR:	1.0	
TYPE:	RIGHTANGLE	
GEAR TYPE:	BEVEL HELICAL	
BEARING TYPE:	ROLLER	
WEIGHT:	2,660 LBS.	(1,210 KG)



A=N/A	E=23.25"	J=14.62"	N=31.87"
B=15.5"	F=10.25"	K=2"	O=6"
C=13.75"	G=54.75"	L=3.75"	P=8.62"
D=29.25"	H=22.25"	M=5.75"	

INVENTORY ID: 200567-000-00

**CASEYUSA®**

Revised 3/12/19

Page 1 of 1

**CASEY**

275 Kappa Drive, Pittsburgh, PA 15238

Ph: (800) 882-7000 • (412) 963-1111

Fax: (412) 963-0378

E-mail: [mechanicalsales@caseyusa.com](mailto:mechanicalsales@caseyusa.com)

Web: [www.caseyusa.com](http://www.caseyusa.com)