

60 HP (45 KW) FESSLER 300-X2 PARALLEL USED GEAR REDUCER / SPEED REDUCER / GEARBOX

MANUFACTURER: FESSLER

AGE: 1987

MODEL NO.: 300-X2

HP RATING: 60

(45 KW)

INPUT RPM: 1300

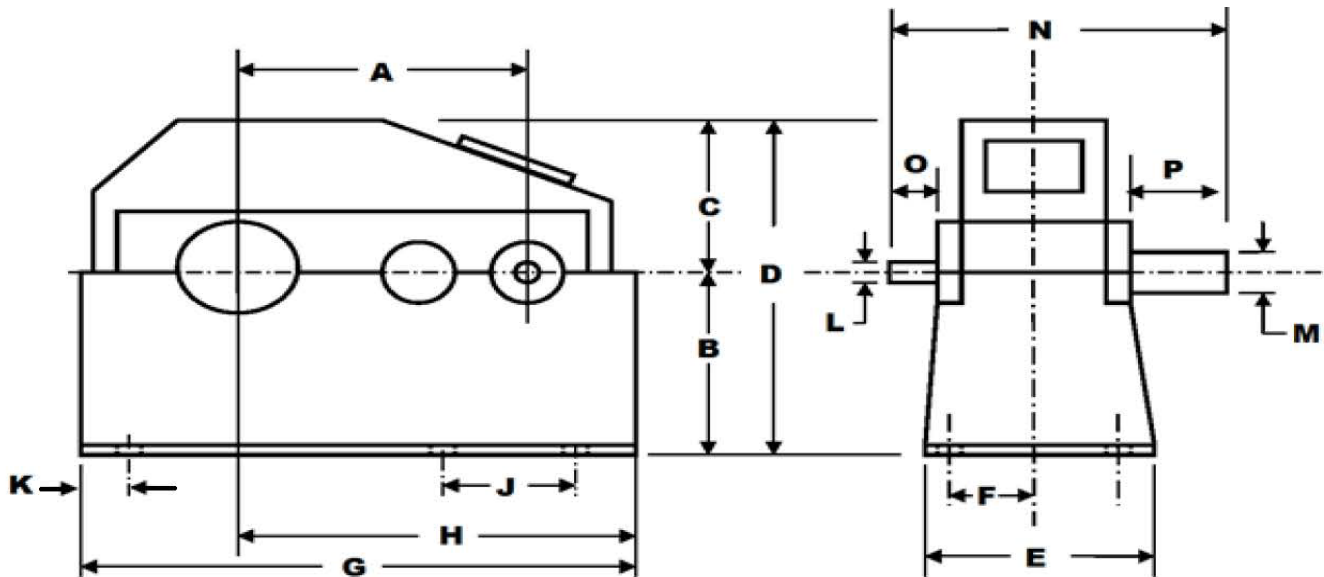
RATIO: 20.75

REDUCTION: DOUBLE

SERVICE FACTOR: 1.0

TYPE: PARALLEL

BEARING TYPE: ROLLER



A=20"

E=21"

J=13.5"

N=32.5"

B=13"

F=8"

K=2.5"

O=5"

C=12"

G=32.25"

L=2.5"

P=5"

D=25"

H=24.25"

M=4.625"

INVENTORY ID: 200566-000-00

CASEYUSA®

Revised 2/20/19

Page 1 of 1

CASEY

275 Kappa Drive, Pittsburgh, PA 15238

Ph: (800) 882-7000 • (412) 963-1111

Fax: (412) 963-0378

E-mail: mechanicalsales@caseyusa.com

Web: www.caseyusa.com