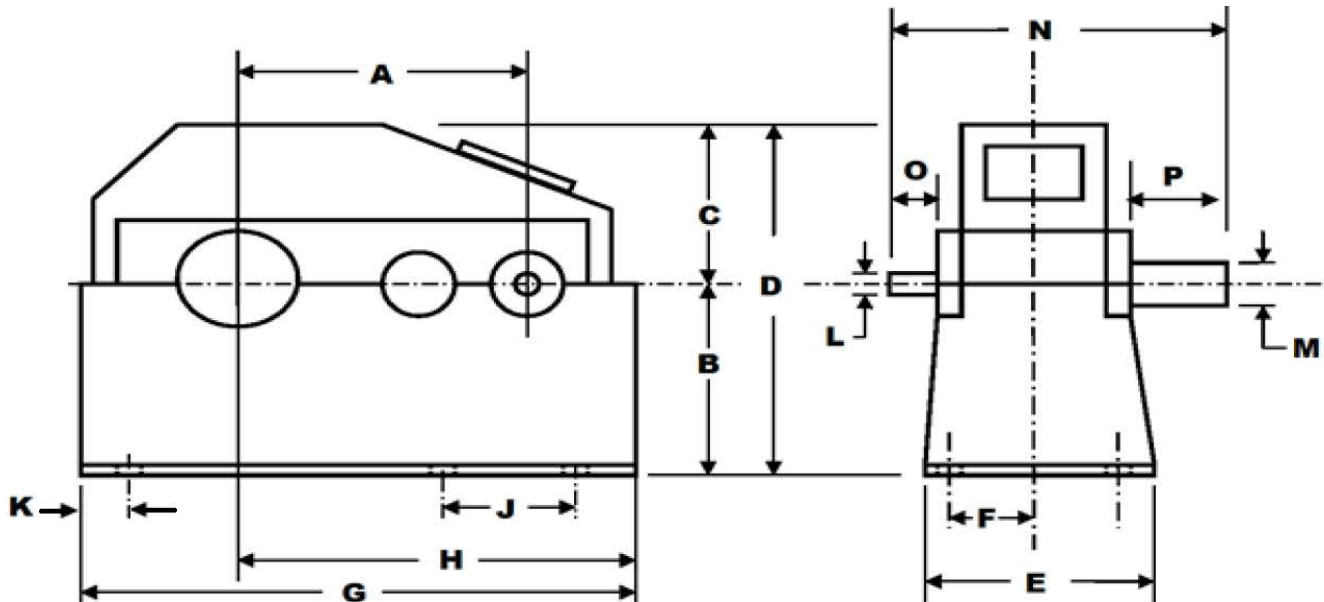


# 133 HP (99 KW) SUMITOMO UNUSED GEAR REDUCER / SPEED REDUCER / GEARBOX

MANUFACTURER: SUMITOMO  
 AGE: 2006  
 MODEL NO.: PHD9100P4-LR-224  
 SERIAL NO.: H6057254  
 HP RATING: 133  
 INPUT RPM: 1750  
 RATIO: 222:1  
 REDUCTION: QUADRUPLE  
 SERVICE FACTOR: 2.1  
 TYPE: PARALLEL  
 GEAR TYPE: HELICAL  
 BEARING TYPE: ROLLER  
 WEIGHT: 6,460 LBS.

(99 KW)

(2,931 KG)



A=36"	E=25.25"	J=28.5"	N=48.875"
B=17"	F=10.625"	K=3.25"	O=6"
C=16.5"	G=63.25"	L=2.3125"	P=14"
D=33.5"	H=46"	M=7.875"	

INVENTORY ID: 200461-000-00

**CASEYUSA®**

Revised 3/11/19

Page 1 of 1

**CASEY**

275 Kappa Drive, Pittsburgh, PA 15238

Ph: (800) 882-7000 • (412) 963-1111

Fax: (412) 963-0378

E-mail: [mechanicalsales@caseyusa.com](mailto:mechanicalsales@caseyusa.com)

Web: [www.caseyusa.com](http://www.caseyusa.com)