

101 HP (75 KW) H&S LBD-6000 RIGHT ANGLE USED GEAR REDUCER / SPEED REDUCER / GEARBOX

MANUFACTURER: HORSBURGH - SCOTT

MODEL NO.: LBD-6000

HP RATING: 101

(75 KW)

INPUT RPM: 485

RATIO: 63.62 :1

REDUCTION: TRIPLE

SERVICE FACTOR: 1.0

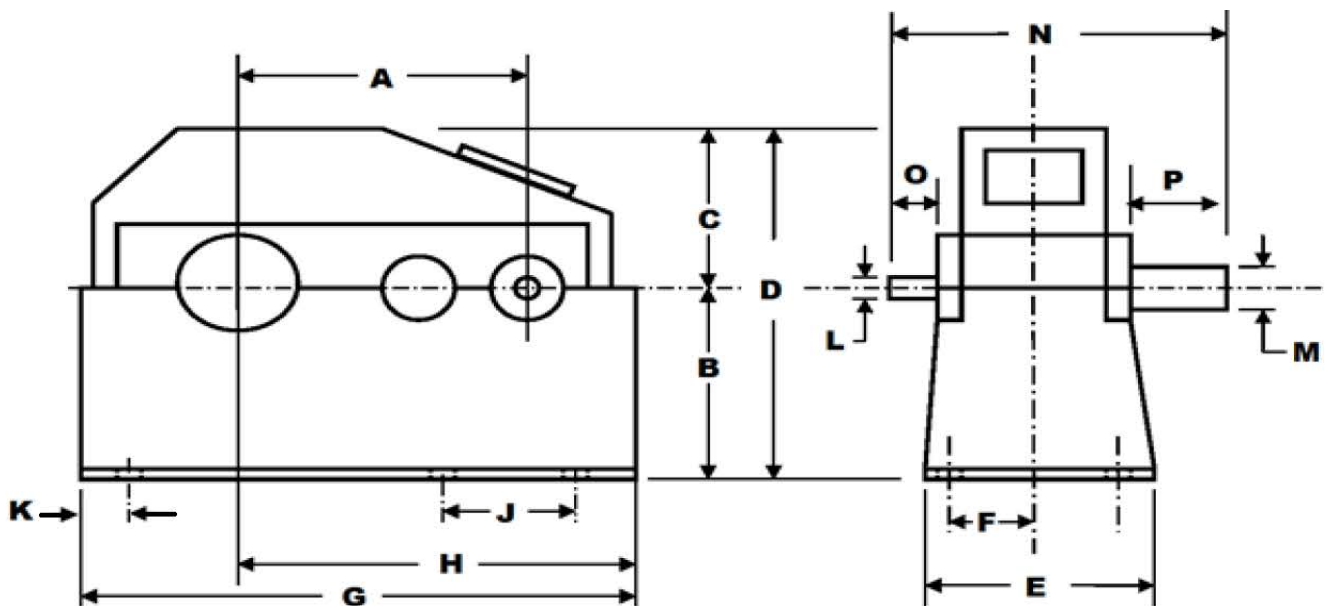
TYPE: RIGHTANGLE

GEAR TYPE: HELICAL

BEARING TYPE: ROLLER

WEIGHT: 17,340 LBS.

(7,868 KG)



A=48"

E=40"

J=27"

N=56"

B=34.25"

F=17.5"

K=5"

O=7.75"

C=29.75"

G=89"

L=3"

P=16.5"

D=64"

H=56.5"

M=9"

INVENTORY ID: 200410-000-00

CASEYUSA®

Revised 3/11/19

Page 1 of 1

CASEY

275 Kappa Drive, Pittsburgh, PA 15238

Ph: (800) 882-7000 • (412) 963-1111

Fax: (412) 963-0378

E-mail: mechanicalsales@caseyusa.com

Web: www.caseyusa.com