

15 HP (11 KW) PALMER-BEE HT-33 USED GEAR REDUCER / SPEED REDUCER / GEARBOX

MANUFACTURER: PALMER-BEE

MODEL NO.: HT-33

SERIAL NO.: A-13297

HP RATING: 15

(11 KW)

INPUT RPM: 725

RATIO: 286.40:1

REDUCTION: TRIPLE

SERVICE FACTOR: 1.6

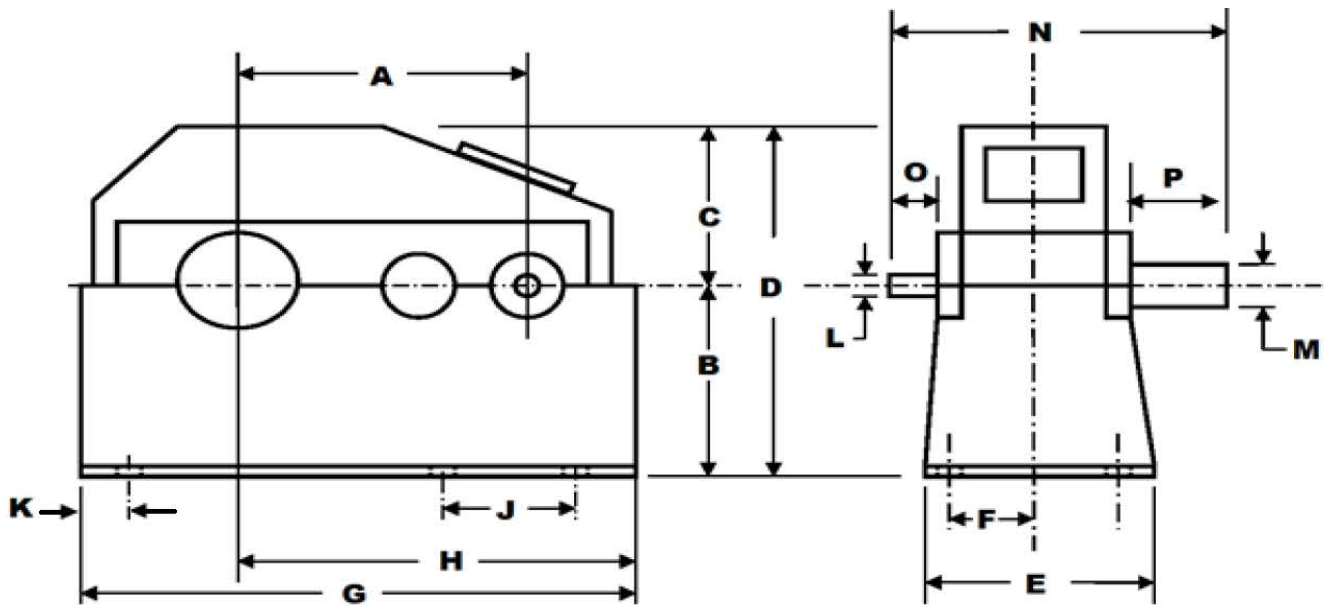
TYPE: PARALLEL

GEAR TYPE: HERRINGBONE

BEARING TYPE: ROLLER

WEIGHT: 10,620 LBS.

(4,815 KG)



A=33"

E=39"

J=60"

N=66"

B=22.875"

F=17.5"

K=5"

O=5.5"

C=22"

G=70"

L=2.75"

P=11.75"

D=44.875"

H=45"

M=6.375"

INVENTORY ID: 200406-000-00

CASEYUSA®

Revised 3/11/19

Page 1 of 1

CASEY

275 Kappa Drive, Pittsburgh, PA 15238

Ph: (800) 882-7000 • (412) 963-1111

Fax: (412) 963-0378

E-mail: mechanicalsales@caseyusa.com

Web: www.caseyusa.com