

# 151 HP (112 KW) JAHNEL-GETRIEBE USED GEAR REDUCER / SPEED REDUCER / GEARBOX

MANUFACTURER: JAHNEL-GETRIEBE

AGE: 1968

SERIAL NO.: 36299

HP RATING: 151

(112 KW)

INPUT RPM: 500

RATIO: 3.333:1

REDUCTION: SINGLE

SERVICE FACTOR: 1.0

TYPE: PARALLEL

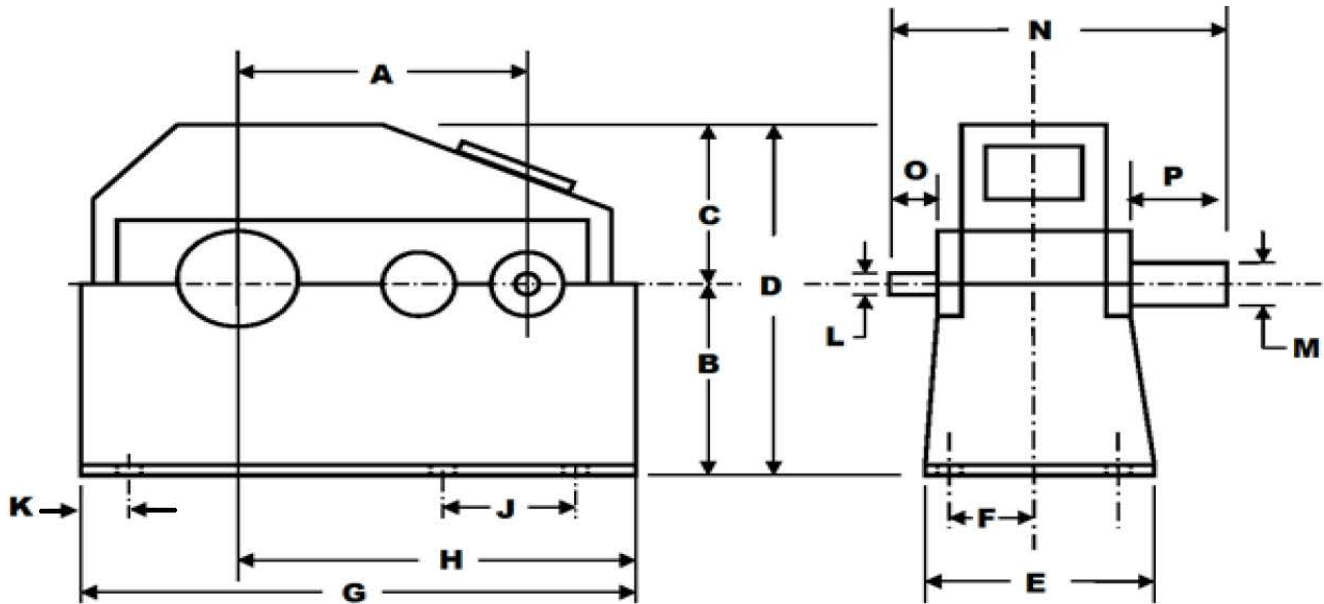
GEAR TYPE: DOUBLE HELICAL

BEARING TYPE: ROLLER

WEIGHT: 6,265 LBS.

(2,843 KG)

PREVIOUS USE: FROM SMS EDGER



A=21.75"

E=23.625"

J=20.125"

N=45"

B=19.5"

F=8.5"

K=3.375"

O=9.562"

C=23"

G=68"

L=5.687"

P=10"

D=42.5"

H=36"

M=12.125"

INVENTORY ID: 200399-000-00

**CASEYUSA®**

Revised 3/11/119

Page 1 of 1

**CASEY**

275 Kappa Drive, Pittsburgh, PA 15238

Ph: (800) 882-7000 • (412) 963-1111

Fax: (412) 963-0378

E-mail: [mechanicalsales@caseyusa.com](mailto:mechanicalsales@caseyusa.com)

Web: [www.caseyusa.com](http://www.caseyusa.com)