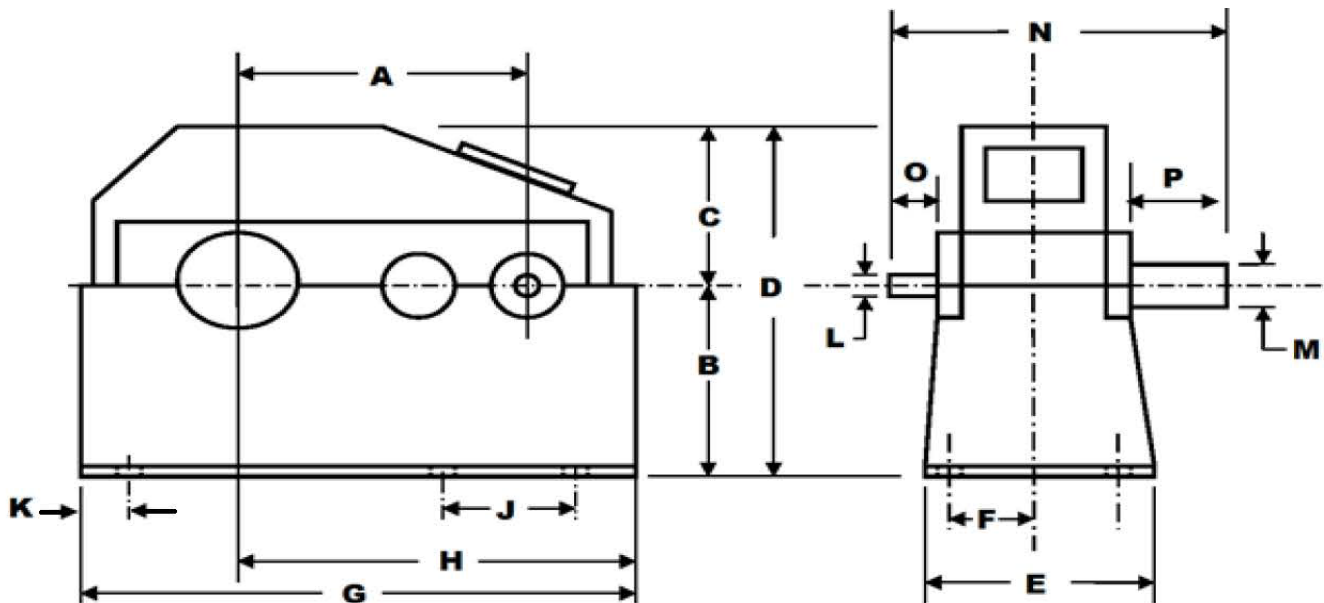


101 HP (75 KW) H&S LBD-6000 USED RIGHT ANGLE GEAR REDUCER / SPEED REDUCER / GEARBOX

MANUFACTURER: HORSBURGH - SCOTT
 MODEL NO.: LBD-6000
 SERIAL NO.: K2321
 HP RATING: 101 (75 KW)
 INPUT RPM: 485
 RATIO: 63.62:1
 REDUCTION: TRIPLE
 SERVICE FACTOR: 1.0
 TYPE: RIGHTANGLE
 GEAR TYPE: HELICAL
 BEARING TYPE: ROLLER
 WEIGHT: 17,340 LBS. (7,868 KG)



A=48"	E=40"	J=27"	N=56"
B=34.25"	F=17.5"	K=5"	O=7.75"
C=29.75"	G=89"	L=3"	P=16.5"
D=64"	H=56.5"	M=9"	

INVENTORY ID: 200383-000-00

CASEYUSA®

Revised 3/11/19

Page 1 of 1

CASEY

275 Kappa Drive, Pittsburgh, PA 15238

Ph: (800) 882-7000 • (412) 963-1111

Fax: (412) 963-0378

E-mail: mechanicalsales@caseyusa.com

Web: www.caseyusa.com