

190 HP (140 KW) PITTSBURGH GEAR KD200FF USED GEAR REDUCER / SPEED REDUCER / GEARBOX

MANUFACTURER: PITTSBURGH GEAR CO.

AGE: 1999

MODEL NO.: KD200FF

SERIAL NO.: 92692

HP RATING: 190

(140 KW)

INPUT RPM: 1750

RATIO: 10.4293:1

REDUCTION: DOUBLE

SERVICE FACTOR: 1.91

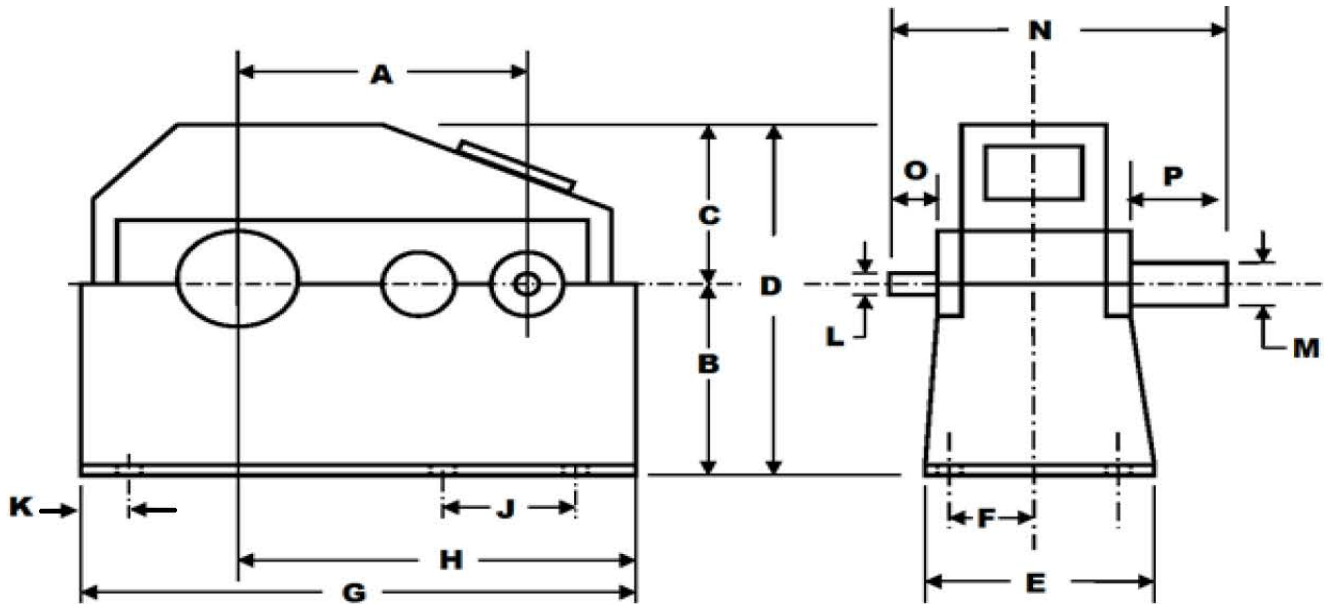
TYPE: PARALLEL

GEAR TYPE: HELICAL

BEARING TYPE: ROLLER

WEIGHT: 2,500 LBS.

(1,134 KG)



A=14.5"

E=17.5"

J=14"

N=26"

B=13"

F=6"

K=3.5"

O=3"

C=8"

G=35"

L=1.5"

P=9"

D=21"

H=24"

M=3.75"

INVENTORY ID: 200303-003-00

CASEYUSA®

Revised 3/11/19

Page 1 of 1

CASEY

275 Kappa Drive, Pittsburgh, PA 15238

Ph: (800) 882-7000 • (412) 963-1111

Fax: (412) 963-0378

E-mail: mechanicalsales@caseyusa.com

Web: www.caseyusa.com