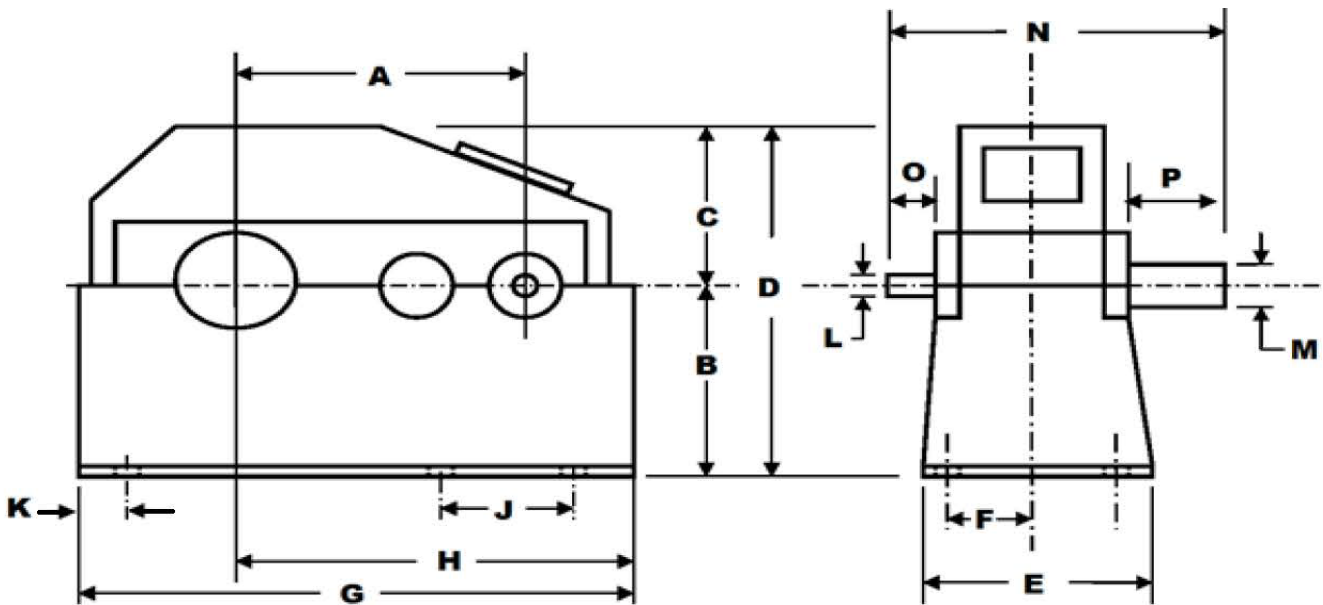


300 HP (222 KW) NUTTALL 90R55388 USED GEAR REDUCER / SPEED REDUCER / GEARBOX

MANUFACTURER: NUTTALL GEAR CORP.
 AGE: 1990
 MODEL NO.: 90R55388
 SERIAL NO.: 9101
 HP RATING: 300 (222 KW)
 INPUT RPM: 1750/2000
 RATIO: 41.422:1
 REDUCTION: TRIPLE
 SERVICE FACTOR: 1.69
 TYPE: PARALLEL
 GEAR TYPE: HELICAL
 BEARING TYPE: ROLLER
 WEIGHT: 9,990 LBS. (4,535 KG)
 DRIVE MOTOR DATA: 300 HP, 1750/2000 RPM, CD506ATY (SOLD SEPARATELY - 130010-000-00)



A=32.75"	E=31"	J=25.5"	N=47.5"
B=20"	F=14"	K=6.25"	O=4.625"
C=19.375"	G=67"	L=1.4375"	P=11.25"
D=39.375"	H=42.5"	M=7.5"	

INVENTORY ID: 200164-550-12

CASEYUSA®

Revised 3/8/19

Page 1 of 1

CASEY

275 Kappa Drive, Pittsburgh, PA 15238

Ph: (800) 882-7000 • (412) 963-1111

Fax: (412) 963-0378

E-mail: mechanicalsales@caseyusa.com

Web: www.caseyusa.com