

200 HP (148 KW) NUTTALL 90R55386 USED GEAR REDUCER / SPEED REDUCER / GEAR BOX

MANUFACTURER: NUTTALL GEAR CORP.

AGE: 1990

MODEL NO.: 90R55386

SERIAL NO.: 9012-2

HP RATING: 200

(148 KW)

INPUT RPM: 1750/2000

RATIO: 42.819:1

REDUCTION: TRIPLE

SERVICE FACTOR: 1.58

TYPE: PARALLEL

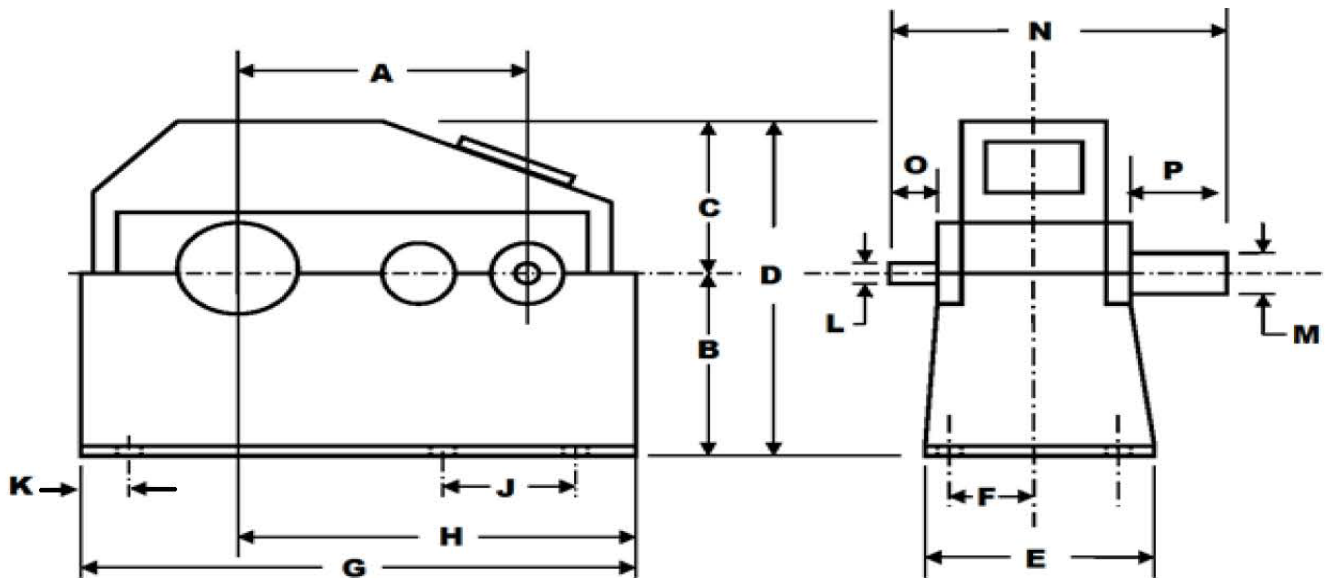
GEAR TYPE: HELICAL

BEARING TYPE: ROLLER

WEIGHT: 7,325 LBS.

(3,325 KG)

DRIVE MOTOR DATA: 200 HP, 1750/2000 RPM, CD504ATY (SOLD SEPARATELY - 130009-000-00)



A=27.125"

E=28.5"

J=21.75"

N=41.375"

B=16.5"

F=14.5"

K=6"

O=3.75"

C=16.5"

G=56"

L=2.125"

P=9.5"

D=33"

H=35.75"

M=5.5"

INVENTORY ID: 200164-550-11

CASEYUSA®

Revised 3/8/19

Page 1 of 1

CASEY

275 Kappa Drive, Pittsburgh, PA 15238

Ph: (800) 882-7000 • (412) 963-1111

Fax: (412) 963-0378

E-mail: mechanicalsales@caseyusa.com

Web: www.caseyusa.com