

# 50 HP (37 KW) NUTTALL 90R55384 USED GEAR REDUCER / SPEED REDUCER / GEARBOX

MANUFACTURER: NUTTALL GEAR CORP.

AGE: 1990

MODEL NO.: 90R55384

SERIAL NO.: 9011

HP RATING: 50

(37 KW)

INPUT RPM: 1750/2000

RATIO: 42.573:1

REDUCTION: TRIPLE

SERVICE FACTOR: 1.5

TYPE: PARALLEL

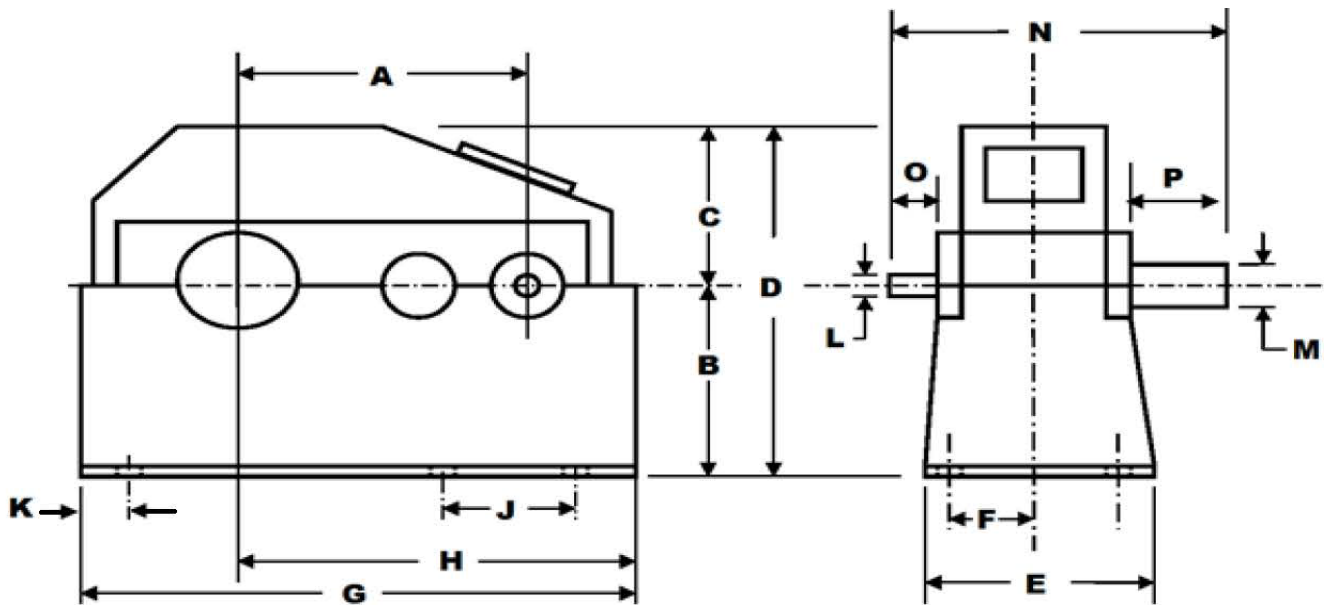
GEAR TYPE: HELICAL

BEARING TYPE: ROLLER

WEIGHT: 3,010 LBS.

(1,365 KG)

DRIVE MOTOR DATA: 50 HP, 1750/2000 RPM, CD409ATY (SOLD SEPARATELY - 130011-000-00)



A=16.75"

E=15"

J=25.5"

N=25"

B=10.25"

F=6.625"

K=3.5"

O=3.5"

C=9.75"

G=34"

L=1.375"

P=6.75"

D=20"

H=22"

M=3.875"

INVENTORY ID: 200164-550-10

**CASEYUSA®**

Revised 3/8/19

Page 1 of 1

**CASEY**

275 Kappa Drive, Pittsburgh, PA 15238

Ph: (800) 882-7000 • (412) 963-1111

Fax: (412) 963-0378

E-mail: [mechanicalsales@caseyusa.com](mailto:mechanicalsales@caseyusa.com)

Web: [www.caseyusa.com](http://www.caseyusa.com)