

# 250 HP (185 KW) NUTTALL 90R55387 USED GEAR REDUCER / SPEED REDUCER / GEARBOX

MANUFACTURER: NUTTALL GEAR CORP.

AGE: 1990

MODEL NO.: 90R55387

SERIAL NO.: 9201

HP RATING: 250

(185 KW)

INPUT RPM: 1750/2000

RATIO: 42.182:1

REDUCTION: TRIPLE

SERVICE FACTOR: 1.64

TYPE: PARALLEL

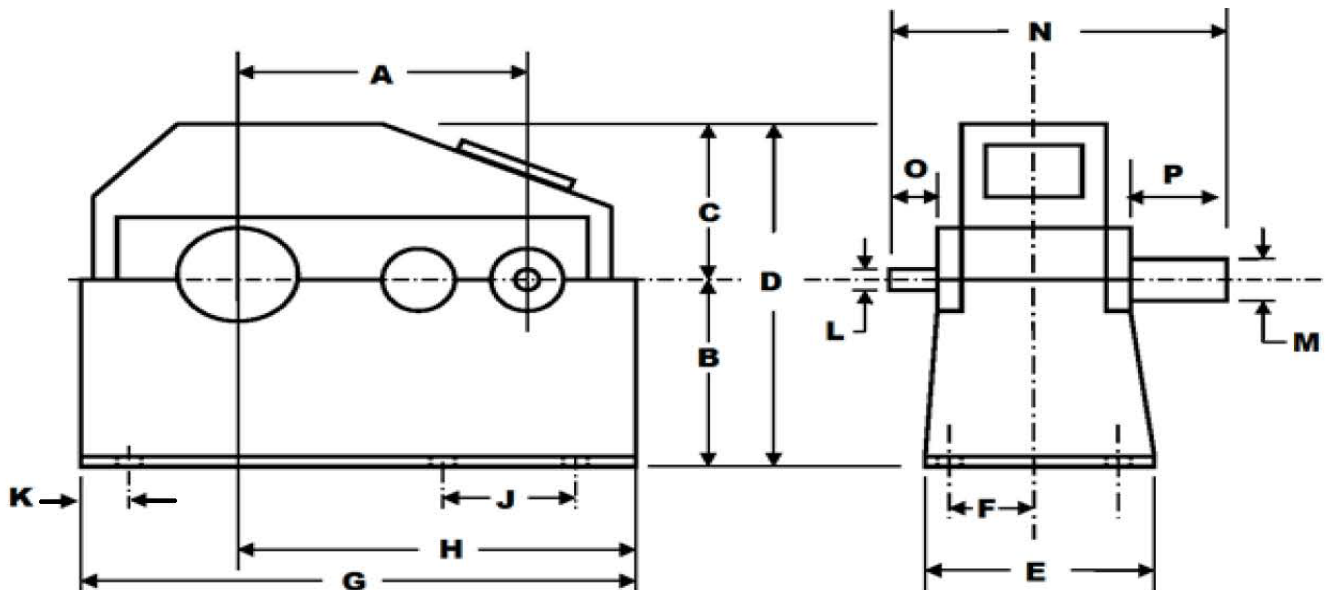
GEAR TYPE: HELICAL

BEARING TYPE: ROLLER

WEIGHT: 8,370 LBS.

(4,025KG)

DRIVE MOTOR DATA: 250 HP, 1750/2000 RPM, CD506ATY (SOLD SEPARATELY - 130015-000-00)



A=29"

E=29"

J=23.25"

N=42.75"

B=18"

F=12.75"

K=6"

O=6.125"

C=17.25"

G=58"

L=2.125"

P=12.5"

D=35.25"

H=38"

M=6"

INVENTORY ID: 200164-550-09

**CASEYUSA®**

Revised 3/7/19

Page 1 of 1

**CASEY**

275 Kappa Drive, Pittsburgh, PA 15238

Ph: (800) 882-7000 • (412) 963-1111

Fax: (412) 963-0378

E-mail: [mechanicalsales@caseyusa.com](mailto:mechanicalsales@caseyusa.com)

Web: [www.caseyusa.com](http://www.caseyusa.com)