

100 HP (74 KW) NUTTALL 90R55386 USED GEAR REDUCER / SPEED REDUCER / GEARBOX

MANUFACTURER: NUTTALL GEAR CORP.

AGE: 1990

MODEL NO.: 90R55386

SERIAL NO.: 9012-1

HP RATING: 100

(74 KW)

INPUT RPM: 1750/2000

RATIO: 42.819 :1

REDUCTION: TRIPLE

SERVICE FACTOR: 1.58

TYPE: PARALLEL

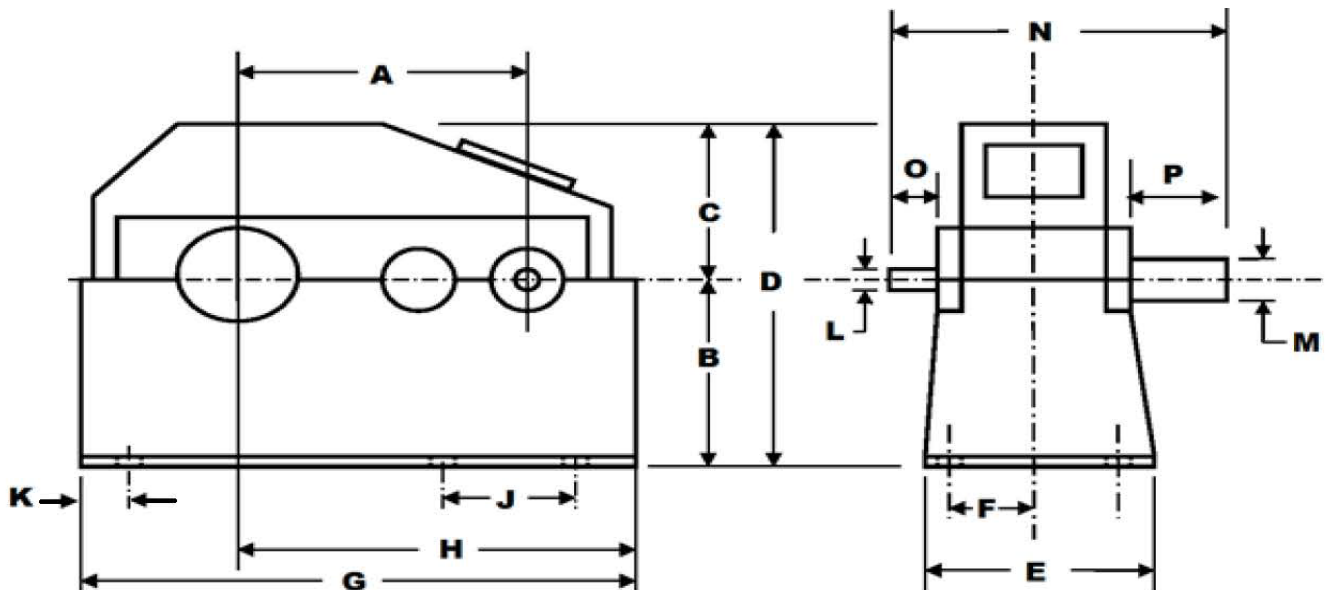
GEAR TYPE: HELICAL

BEARING TYPE: ROLLER

WEIGHT: 7,390 LBS.

(3,355 KG)

DRIVE MOTOR DATA: 200 HP, 1750/2000 RPM, CD504ATY (SOLD SEPARATELY - 130008-000-00)



A=27"

E=24.625"

J=22"

N=41.25"

B=16.5"

F=12.5"

K=6"

O=3.75"

C=16.5"

G=56"

L=2.125"

P=10"

D=33"

H=36.25"

M=5.5"

INVENTORY ID: 200164-550-08

CASEYUSA®

Revised 3/7/19

Page 1 of 1

CASEY

275 Kappa Drive, Pittsburgh, PA 15238

Ph: (800) 882-7000 • (412) 963-1111

Fax: (412) 963-0378

E-mail: mechanicalsales@caseyusa.com

Web: www.caseyusa.com