

100 HP (74 KW) NUTTALL 90R55385 USED GEAR REDUCER / SPEED REDUCER / GEARBOX

MANUFACTURER: NUTTALL GEAR CORP.

AGE: 1990

MODEL NO.: 90R55385

SERIAL NO.: 9011

HP RATING: 100

(74 KW)

INPUT RPM: 1750/2000

RATIO: 41.874:1

REDUCTION: TRIPLE

SERVICE FACTOR: 1.5

TYPE: PARALLEL

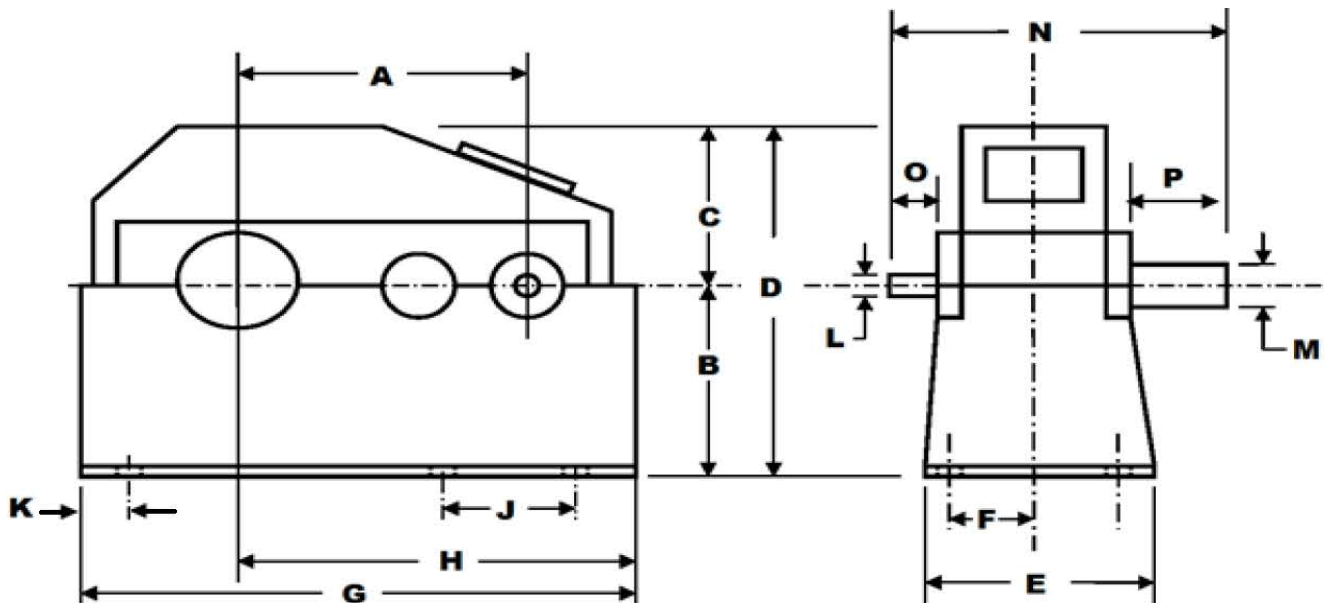
GEAR TYPE: HELICAL

BEARING TYPE: ROLLER

WEIGHT: 4430 LBS.

(2,010 KG)

DRIVE MOTOR DATA: 100 HP, 1750/2000 RPM, CD407ATY (SOLD SEPARATELY - 130014-000-00)



A=21"

E=23"

J=16.25"

N=36"

B=12.5"

F=10.25"

K=5"

O=4"

C=12.375"

G=43.75"

L=1.625"

P=8.75"

D=25"

H=27.75"

M=4.75"

INVENTORY ID: 200164-550-07

CASEYUSA®

Revised 3/7/19

Page 1 of 1

CASEY

275 Kappa Drive, Pittsburgh, PA 15238

Ph: (800) 882-7000 • (412) 963-1111

Fax: (412) 963-0378

E-mail: mechanicalsales@caseyusa.com

Web: www.caseyusa.com