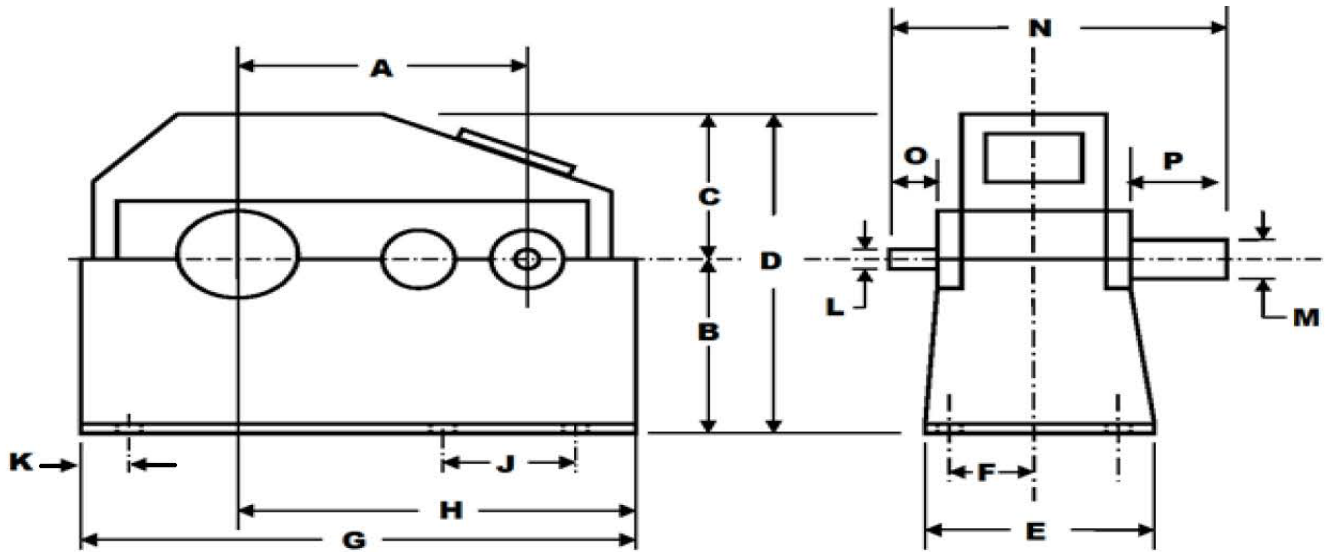


14 HP (10 KW) HORSBURGH & SCOTT USED GEAR REDUCER / SPEED REDUCER / GEARBOX

MANUFACTURER: HORSBURGH & SCOTT
 MODEL NO.: CUSTOM LD1300
 SERIAL NO.: T6048
 HP RATING: 14
 INPUT RPM: 870
 RATIO: 10.08:1
 REDUCTION: SINGLE
 SERVICE FACTOR: 1.0
 TYPE: PARALLEL
 GEAR TYPE: HELICAL
 BEARING TYPE: ROLLER
 WEIGHT: 300 LBS.

(10 KW)

(136 KG)



A=11"	E=12"	J=18.75"	N=20"
B=8"	F=4.75"	K=1.75"	O=5.625"
C=8"	G=22"	L=1"	P=4"
D=16"	H=13.5"	M=2.5"	

INVENTORY ID: 112755-000-00

CASEYUSA®

Revised 3/6/19

Page 1 of 1

CASEY

275 Kappa Drive, Pittsburgh, PA 15238

Ph: (800) 882-7000 • (412) 963-1111

Fax: (412) 963-0378

E-mail: mechanicalsales@caseyusa.com

Web: www.caseyusa.com