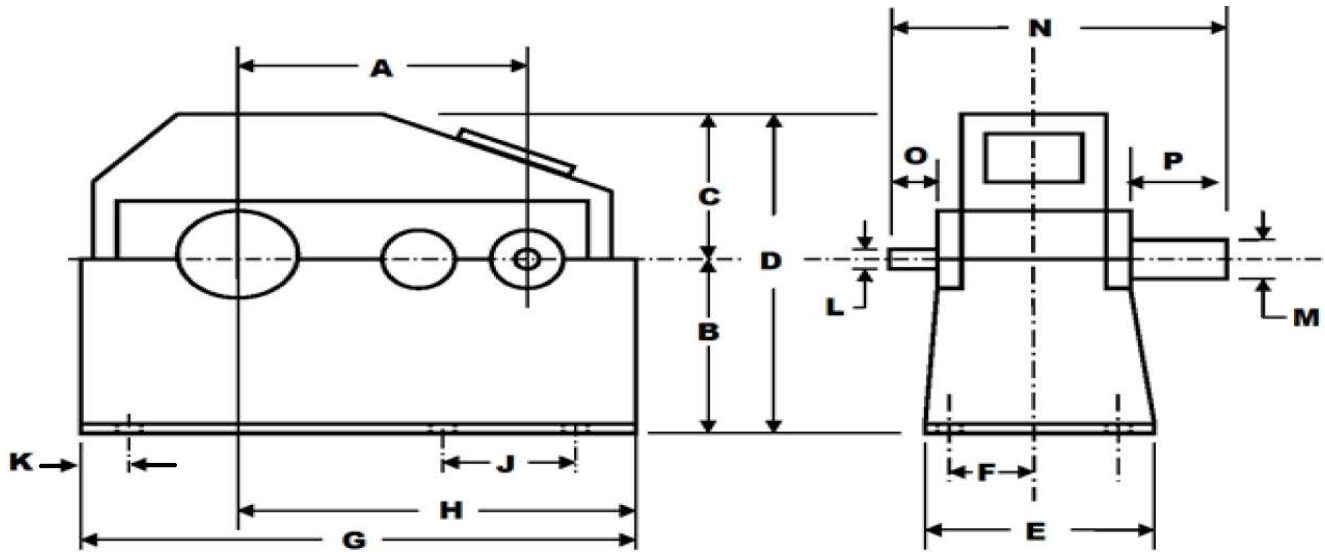


15 HP (11 KW) FALK 2070Y2-KS

USED GEAR REDUCER / SPEED REDUCER / GEARBOX

MANUFACTURER: FALK
 AGE: 1996
 MODEL NO.: 2070Y2-KS
 SERIAL NO.: 96-066992-01
 HP RATING: 15
 INPUT RPM: 725 / 1800
 RATIO: 42.69 :1
 REDUCTION: DOUBLE
 SERVICE FACTOR: 1.03/2
 TYPE: PARALLEL
 GEAR TYPE: HELICAL
 BEARING TYPE: ROLLER

(11 KW)



A=16.25"	E=14"	J=12"	N=45.75"
B=10.25"	F=11.5"	K=2.75"	O=4.25"
C=10.25"	G=30"	L=1.5"	P=26.5"
D=20.5"	H=19.625"	M=3"	

INVENTORY ID: 112754-000-00

CASEYUSA®

Revised 3/6/19

Page 1 of 1

CASEY

275 Kappa Drive, Pittsburgh, PA 15238

Ph: (800) 882-7000 • (412) 963-1111

Fax: (412) 963-0378

E-mail: mechanicalsales@caseyusa.com

Web: www.caseyusa.com