

# 169 HP (125 KW) LUFKIN T390HS PARALLEL USED GEAR REDUCER / SPEED REDUCER / GEARBOX

MANUFACTURER: LUFKIN

MODEL NO.: T390HS

SERIAL NO.: 270

HP RATING: 169

(125 KW)

INPUT RPM: 1750

RATIO: 122.4:1

REDUCTION: DOUBLE

SERVICE FACTOR: 1.5

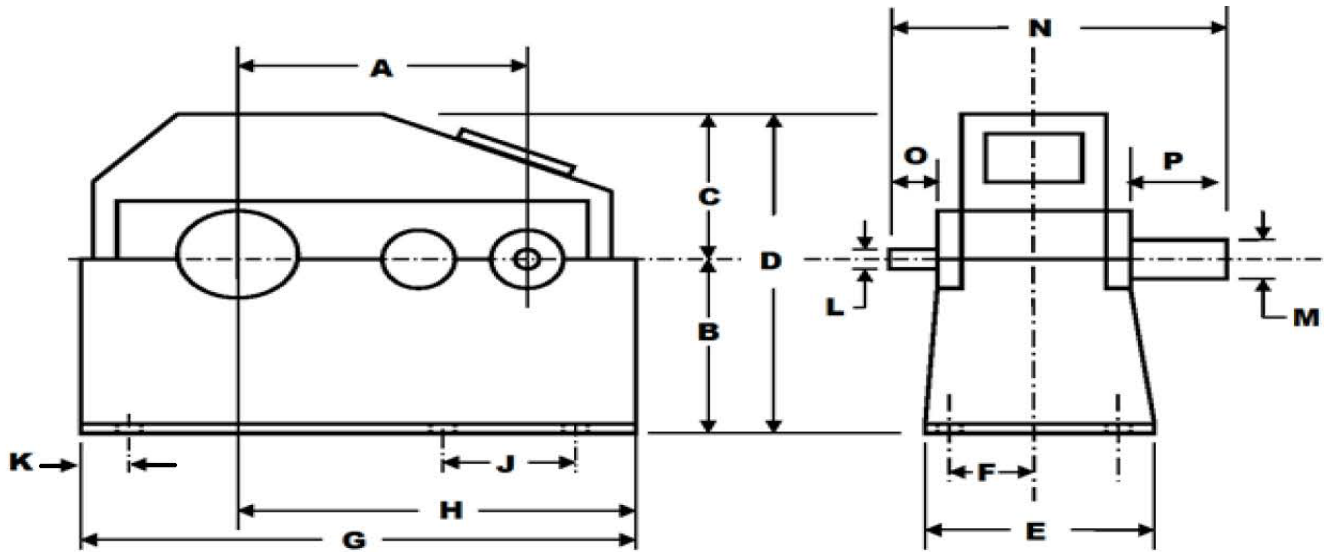
TYPE: PARALLEL

GEAR TYPE: HERRINGBONE

BEARING TYPE: ROLLER

WEIGHT: 9,895 LBS.

(4,490,KG)



A=39"

E=34"

J=24"

N=51"

B=24"

F=15"

K=2"

P=11.5"

C=27"

G=67"

L=2.62"

O=6"

D=51"

H=50"

M=7"

- FEATURES:
- DOUBLE INPUT SHAFTS
  - SINGLE OUTPUT SHAFT

INVENTORY ID: 107740-000-00

**CASEYUSA®**

Revised 2/26/19

Page 1 of 1

**CASEY**

275 Kappa Drive, Pittsburgh, PA 15238

Ph: (800) 882-7000 • (412) 963-1111

Fax: (412) 963-0378

E-mail: [mechanicalsales@caseyusa.com](mailto:mechanicalsales@caseyusa.com)

Web: [www.caseyusa.com](http://www.caseyusa.com)