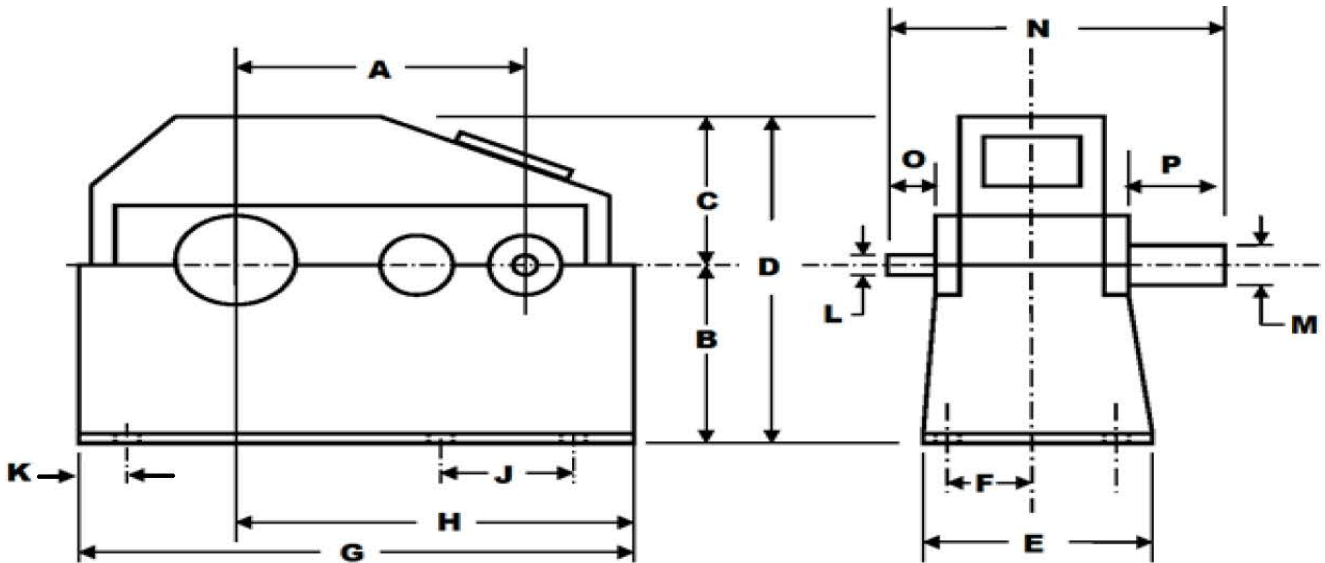


# 150 HP (111 KW) LUFKIN DF370D PARALLEL USED GEAR REDUCER / SPEED REDUCER / GEARBOX

MANUFACTURER: LUFKIN  
 MODEL NO.: DF370C  
 SERIAL NO.: 250  
 HP RATING: 150 (111 KW)  
 INPUT RPM: 1170  
 RATIO: 38.75:1  
 REDUCTION: DOUBLE  
 SERVICE FACTOR: 1.82  
 TYPE: PARALLEL  
 GEAR TYPE: HERRINGBONE  
 BEARING TYPE: ROLLER  
 WEIGHT: 12,900 LBS. (5,851 KG)



A=36.5"	E=51.5"	J=3.25"	N=51.5"
B=25"	F=28"	K=5.5"	O=7.5"
C=24"	G=68.5"	L=3.25"	P=14"
D=49"	H=46"	M=7.75"	

INVENTORY ID: 107623-000-00

**CASEYUSA®**

Revised 2/26/19

Page 1 of 1

**CASEY**

275 Kappa Drive, Pittsburgh, PA 15238

Ph: (800) 882-7000 • (412) 963-1111

Fax: (412) 963-0378

E-mail: [mechanicalsales@caseyusa.com](mailto:mechanicalsales@caseyusa.com)

Web: [www.caseyusa.com](http://www.caseyusa.com)