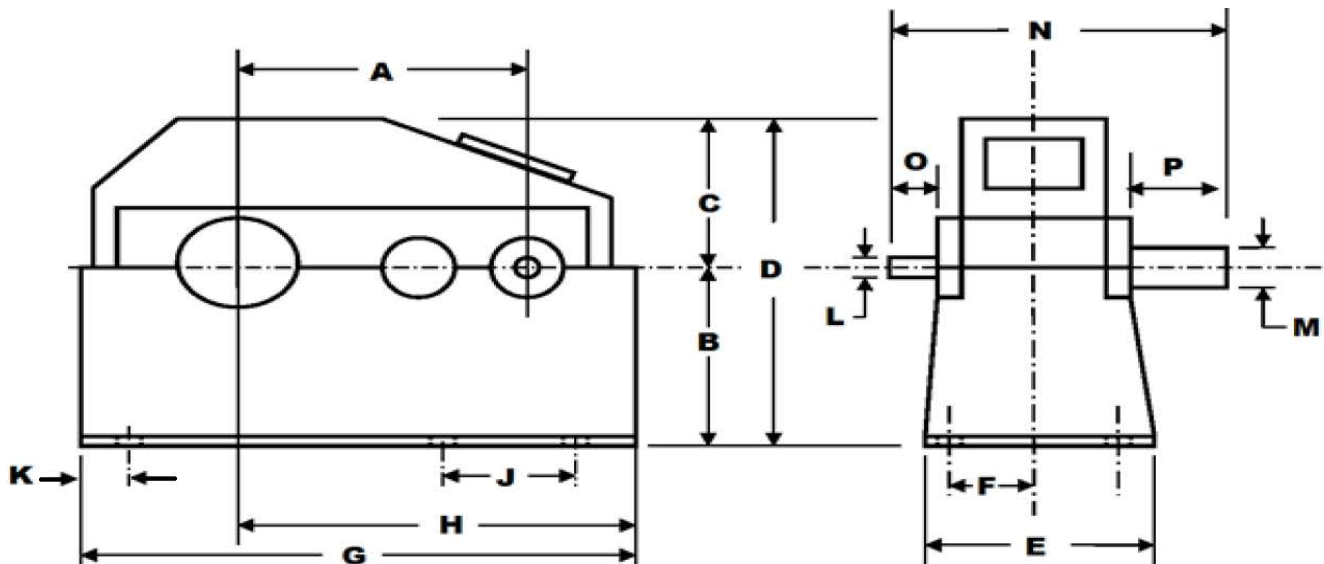


600 HP (445 KW) PHILADELPHIA GEAR PARALLEL USED GEAR REDUCER / SPEED REDUCER / GEARBOX

MANUFACTURER: PHILADELPHIA GEAR
AGE: REBUILT 1993 BY TGH GEAR
MODEL NO.: 3227TS
SERIAL NO.: 126002
HP RATING: 600
INPUT RPM: 900
RATIO: 7.2:1
REDUCTION: DOUBLE
SERVICE FACTOR: 1.5
TYPE: PARALLEL
GEAR TYPE: HERRINGBONE
BEARING TYPE: ROLLER
WEIGHT: 17,265 LBS.

(445 KW)

(7,833 KG)



A=43"	E=41"	J=27"	N=52.5"
B=33.5"	F=19"	K=2.5"	O=9"
C=27.5"	G=85"	L=4.25"	P=14"
D=60"	H=73.5"	M=9"	

INVENTORY ID: 107527-000-00

CASEYUSA®

Revised 2/26/19

Page 1 of 1

CASEY

275 Kappa Drive, Pittsburgh, PA 15238

Ph: (800) 882-7000 • (412) 963-1111

Fax: (412) 963-0378

E-mail: mechanicalsales@caseyusa.com

Web: www.caseyusa.com