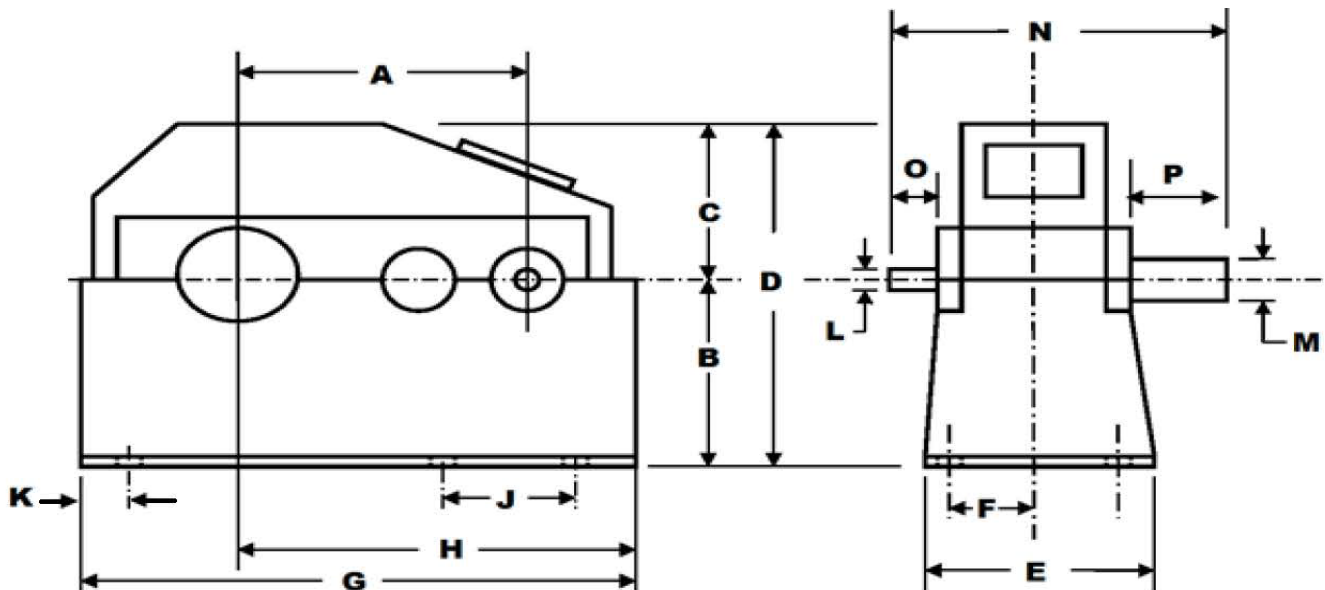


33 HP (25 KW) MITSUBISHI PARALLEL USED GEAR REDUCER / SPEED REDUCER / GEARBOX

MANUFACTURER: MITSUBISHI
 MODEL NO.: R1371
 SERIAL NO.: 3872
 HP RATING: 33
 INPUT RPM: 1130/905
 RATIO: 15:1
 REDUCTION: DOUBLE
 SERVICE FACTOR: 1.0
 TYPE: PARALLEL
 GEAR TYPE: HELICAL
 BEARING TYPE: ROLLER
 WEIGHT: 2,400 LBS.

(25 KW)

(1,089 KG)



A=22.25"	E=21"	J=17.75"	N=33"
B=12.625"	F=7.75"	K=2.5"	O=5.5"
C=12.25"	G=40.5"	L=2.125"	P=8"
D=24.875"	H=34.5"	M=3.875"	

INVENTORY ID: 107380-000-06

NOTE: FIELD DIMENSIONS TO BE VERIFIED AT INSPECTION

CASEYUSA®

Revised 2/26/19

Page 1 of 1

CASEY

275 Kappa Drive, Pittsburgh, PA 15238

Ph: (800) 882-7000 • (412) 963-1111

Fax: (412) 963-0378

E-mail: mechanicalsales@caseyusa.com

Web: www.caseyusa.com