

# 125 HP (93 KW) D.O. JAMES SE-162 USED GEAR REDUCER / SPEED REDUCER / GEARBOX

MANUFACTURER: D. O. JAMES

MODEL NO.: SE-162

SERIAL NO.: 232355

HP RATING: 125

(93 KW)

INPUT RPM: 500

RATIO: 6:1

REDUCTION: DOUBLE

SERVICE FACTOR: 1.5

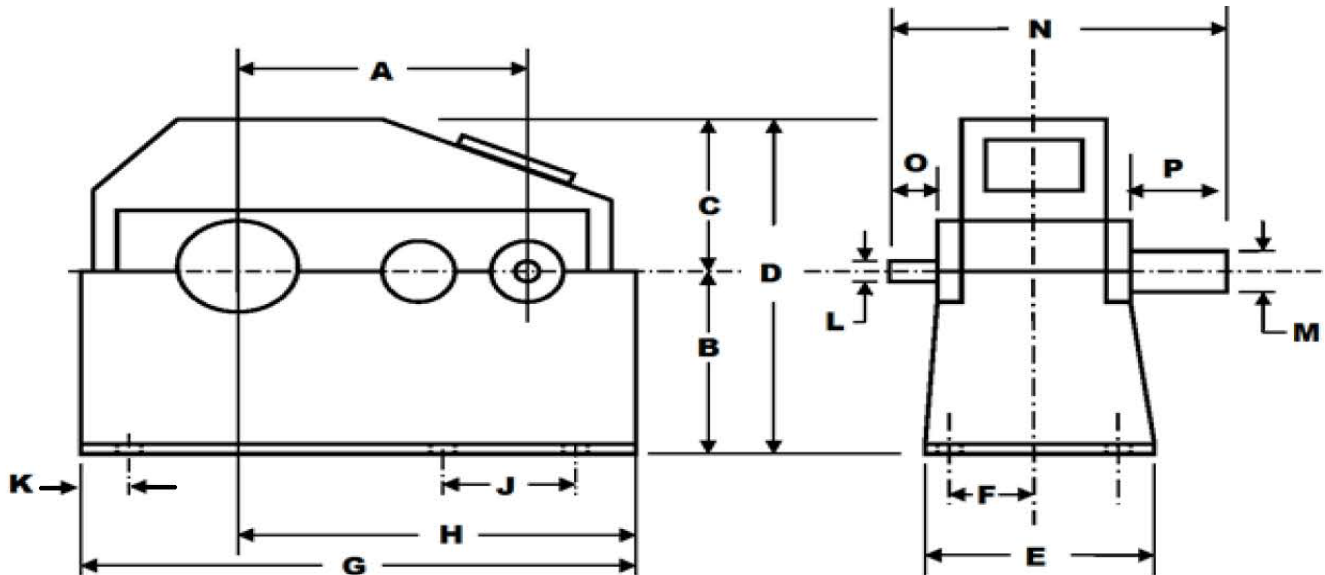
TYPE: PARALLEL

GEAR TYPE: HERRINGBONE

BEARING TYPE: ROLLER

WEIGHT: 3240 LBS.

(1,470 KG)



A=24.75"

E=22"

J=17"

N=41"

B=19"

F=NO END HOLES

K=6.25"

O=7.5"

C=16"

G=58.75"

L=3.375"

P=11"

D=35"

H=34"

M=5.625"

INVENTORY ID: 107323-000-00

**CASEYUSA®**

Revised 2/26/19

Page 1 of 1

**CASEY**

275 Kappa Drive, Pittsburgh, PA 15238

Ph: (800) 882-7000 • (412) 963-1111

Fax: (412) 963-0378

E-mail: [mechanicalsales@caseyusa.com](mailto:mechanicalsales@caseyusa.com)

Web: [www.caseyusa.com](http://www.caseyusa.com)